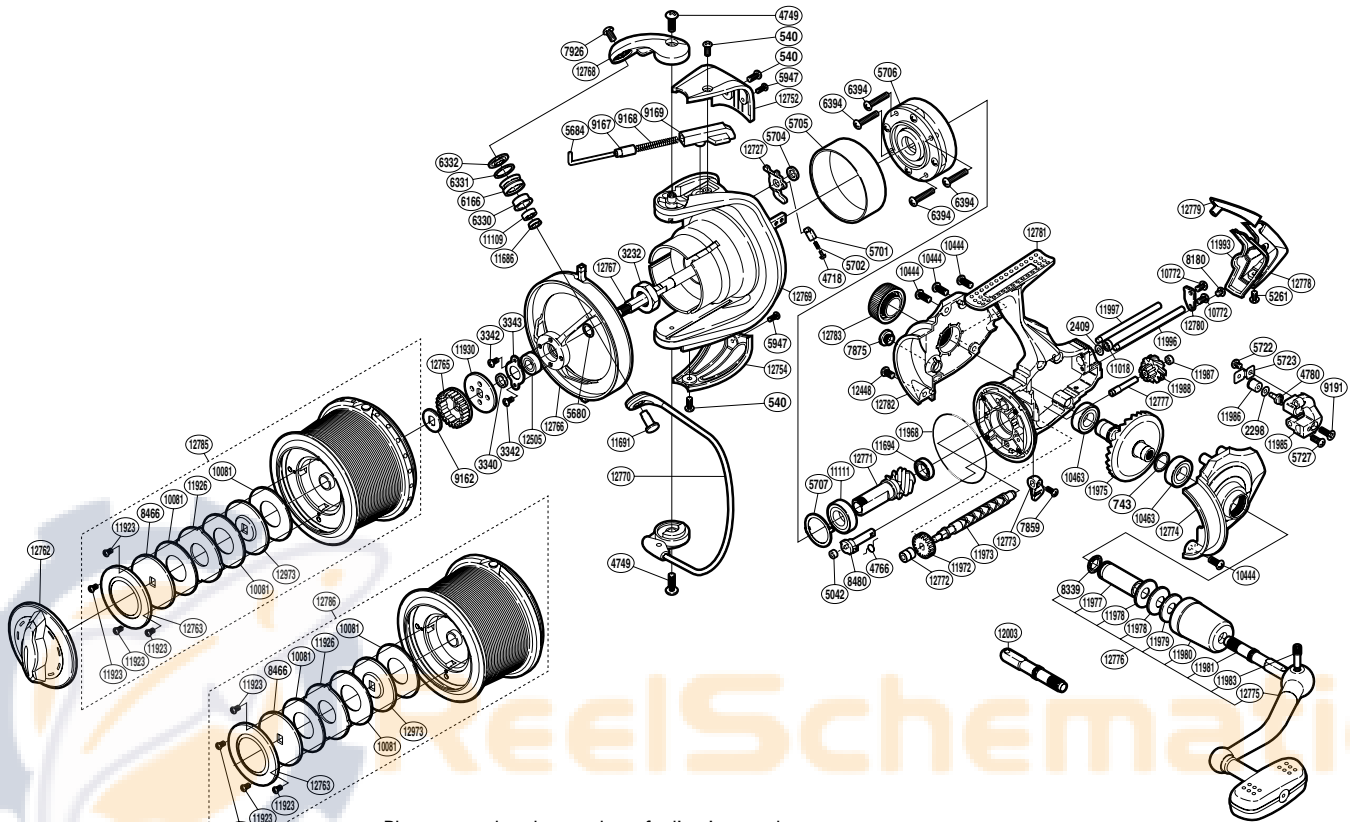


# SHIMANO

AERO TECHNIUM SA-RB

AR TECH-6000XSB



(1SH016000G)

Please note that the number of adjusting washers may not be the same as shown in the exploded views. (Adjustment will vary with each individual product.)

| Part No. | Description              | Part No. | Description                 | Part No. | Description                      |
|----------|--------------------------|----------|-----------------------------|----------|----------------------------------|
| RD 0540  | Screw                    | RD 8339  | Handle Shaft Seal           | RD11993  | Rear Shield                      |
| RD 0743  | Washer                   | RD 8466  | Key Washer                  | RD11996  | Oscillating Guide A              |
| RD 2298  | Spacer                   | RD 8480  | Anti-Reverse Cam            | RD11997  | Oscillating Guide B              |
| RD 2409  | Spacer                   | RD 9162  | Spool Washer                | RD12448  | Screw                            |
| RD 3232  | Rotor Nut                | RD 9167  | Bail Spring Guide A Support | RD12505  | Ball Bearing                     |
| RD 3340  | Line Safety Guard Spacer | RD 9168  | Bail Spring                 | RD12727  | Bail Trip Lever                  |
| RD 3342  | Screw                    | RD 9169  | Bail Spring Guide B         | RD12752  | Bail Spring Cover                |
| RD 3343  | Bearing Retainer         | RD 9191  | Screw                       | RD12754  | Bail Hold Support Guard          |
| RD 4718  | Lever Spring Guide A     | RD10081  | Drag Washer                 | RD12762  | Drag Knob                        |
| RD 4749  | Screw                    | RD10444  | Screw                       | RD12763  | Seal Plate                       |
| RD 4766  | Anti-Reverse Cam Spring  | RD10463  | Ball Bearing                | RD12765  | Spool Support A                  |
| RD 4780  | Oscillating Pawl         | RD10772  | Screw                       | RD12766  | Line Safety Guard                |
| RD 5042  | Anti-Reverse Cam Ring    | RD11018  | Ball Bearing                | RD12767  | Main Shaft                       |
| RD 5261  | Screw                    | RD11109  | Ball Bearing                | RD12768  | Bail Arm                         |
| RD 5680  | Spacer                   | RD11111  | Ball Bearing                | RD12769  | Rotor                            |
| RD 5684  | Bail Spring Guide A      | RD11686  | Bearing Spacer              | RD12770  | Bail Assembly                    |
| RD 5701  | Lever Spring Guide B     | RD11691  | Line Roller Support         | RD12771  | Pinion Gear                      |
| RD 5702  | Lever Spring             | RD11694  | Ball Bearing                | RD12772  | Worm Bushing (front)             |
| RD 5704  | Trip Lever Spacer        | RD11923  | Screw                       | RD12773  | Anti-Reverse Lever               |
| RD 5705  | Roller Clutch Ring       | RD11926  | Eared Washer                | RD12774  | Side Cover A                     |
| RD 5706  | Roller Clutch Assembly   | RD11930  | Spool Support B             | RD12775  | Handle                           |
| RD 5707  | Bearing Washer           | RD11968  | O Ring                      | RD12776  | Handle Assembly                  |
| RD 5722  | Screw                    | RD11972  | Idle Gear                   | RD12777  | Idle Gear B Shaft                |
| RD 5723  | Oscillating Pawl Cover   | RD11973  | Worm Shaft                  | RD12778  | Rear Protector A                 |
| RD 5727  | Screw                    | RD11975  | Drive Gear                  | RD12779  | Rear Protector B                 |
| RD 5947  | Screw                    | RD11977  | Handle Shaft Cover A        | RD12780  | Worm Shaft Retainer              |
| RD 6166  | Line Roller              | RD11978  | Cone Disc Spring            | RD12781  | Body                             |
| RD 6330  | Line Roller Bushing      | RD11979  | Washer                      | RD12782  | Side Cover B                     |
| RD 6331  | Line Roller Spacer       | RD11980  | Handle Shaft Cover B        | RD12783  | Handle Screw Cap                 |
| RD 6332  | Line Roller Washer       | RD11981  | Handle Shaft (left)         | RD12785  | Spool Assembly                   |
| RD 6394  | Screw                    | RD11983  | Handle Shaft Screw          | RD12973  | Key Washer                       |
| RD 7859  | Screw                    | RD11985  | Oscillating Slider          |          |                                  |
| RD 7875  | Oil Cap                  | RD11986  | Oscillating Slider Bushing  | RD12786  | Spare Spool Assembly             |
| RD 7926  | Screw                    | RD11987  | Idle Gear B Shaft Bushing   |          |                                  |
| RD 8180  | Screw                    | RD11988  | Idle Gear B                 | RD12003  | Handle Shaft (right) (accessory) |